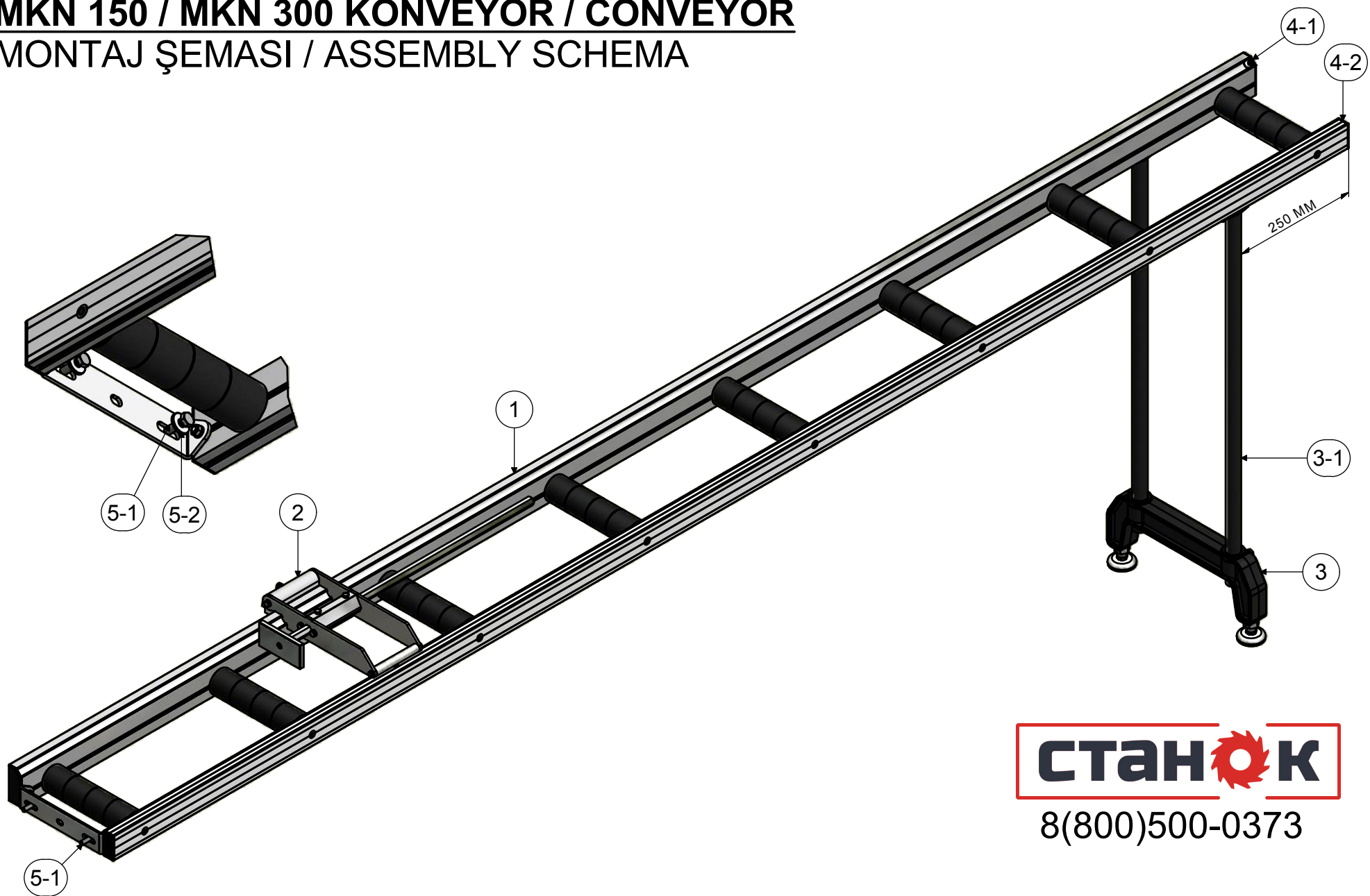


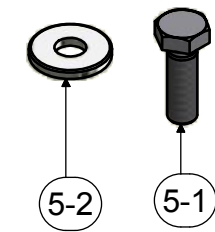
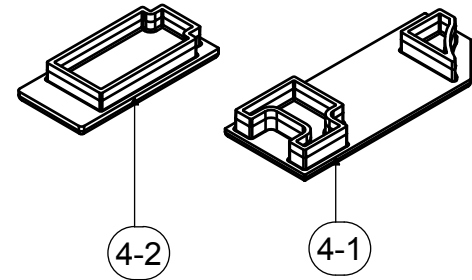
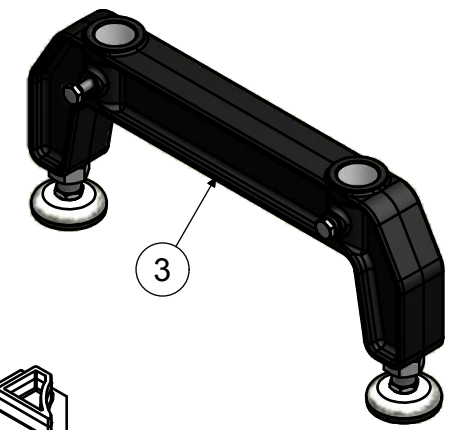
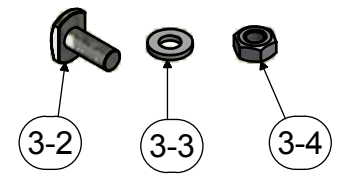
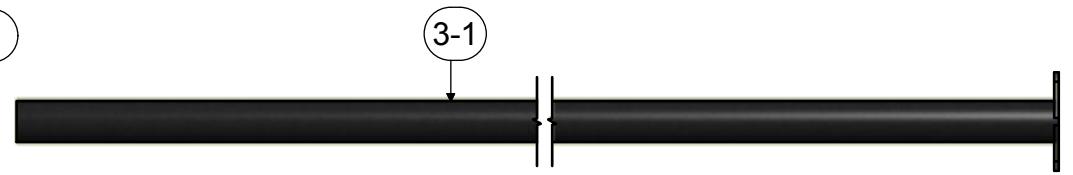
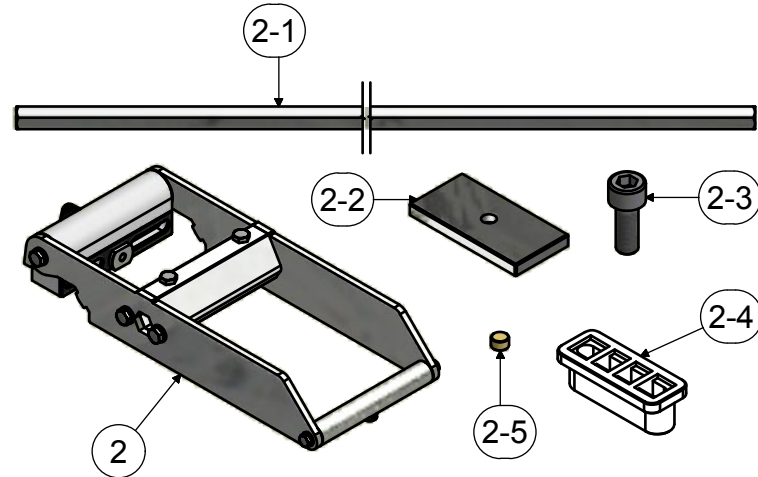
MKN 150 / MKN 300 KONVEYÖR / CONVEYOR

MONTAJ ŞEMASI / ASSEMBLY SCHEMA



СТАНОК

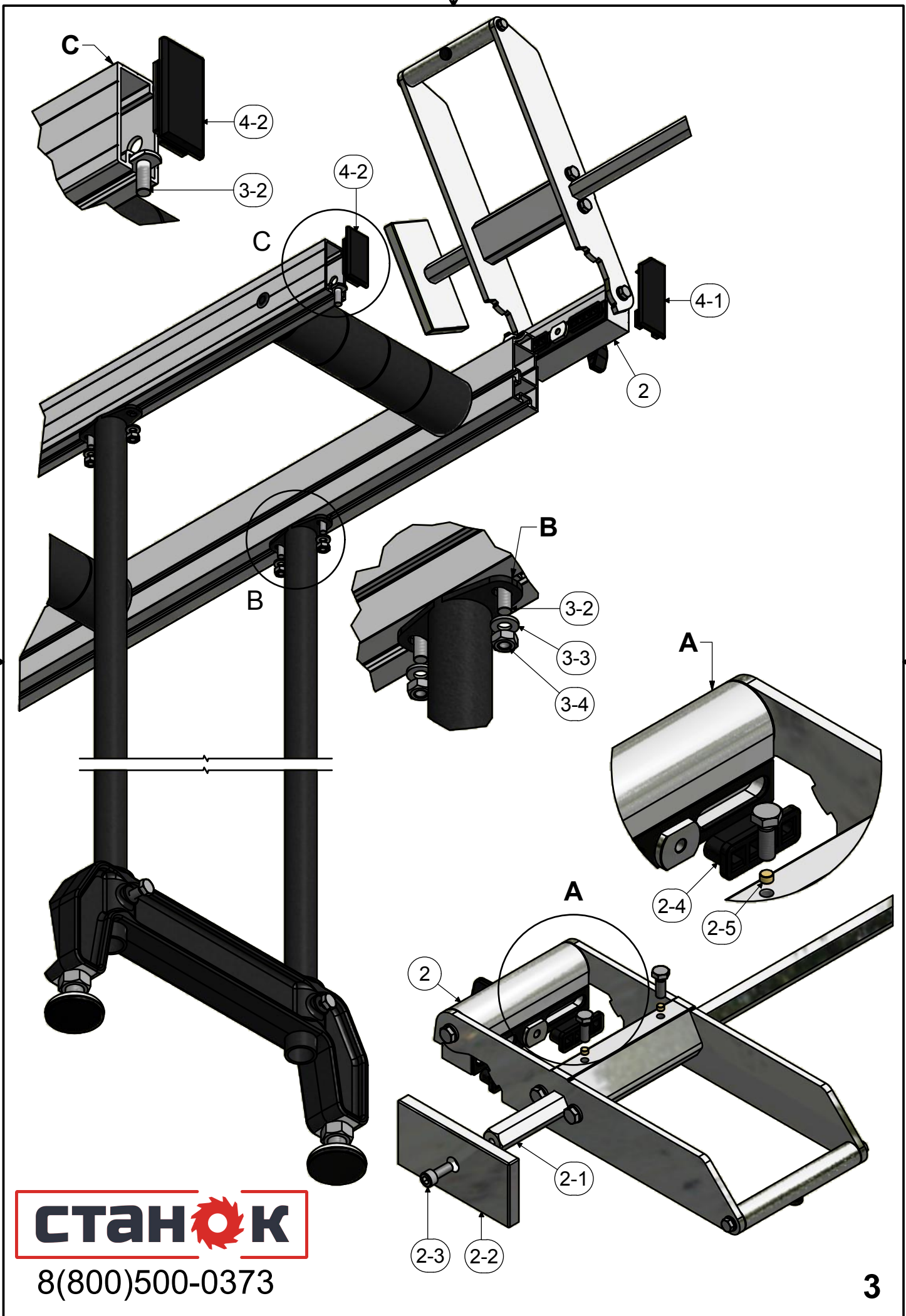
8(800)500-0373



MKN 150 / MKN 300 PARÇA LİSTESİ / PART LIST			
NO	KOD/CODE	AÇIKLAMA/EXPL.	ADET/QTY
1			1
2	3UA010030-0054		1
2-1	2TU011110-0839		1
2-2	2TU011210-0388		1
2-3	1SC021000-0014	M6*16	1
2-4	1PL010000-0037		2
2-5	2TU016210-0009		2
3			1
3-1	3UA010030-0003		2
3-2	1SC201000-0001		4
3-3	1SC081000-0013		4
3-4	1SC071000-0011	M6	4
4-1	1PL010000-0038		1
4-2	1PL010000-0038		1
5-1	1SC011000-0017	M8*25	2
5-2	1SC081000-0015		2

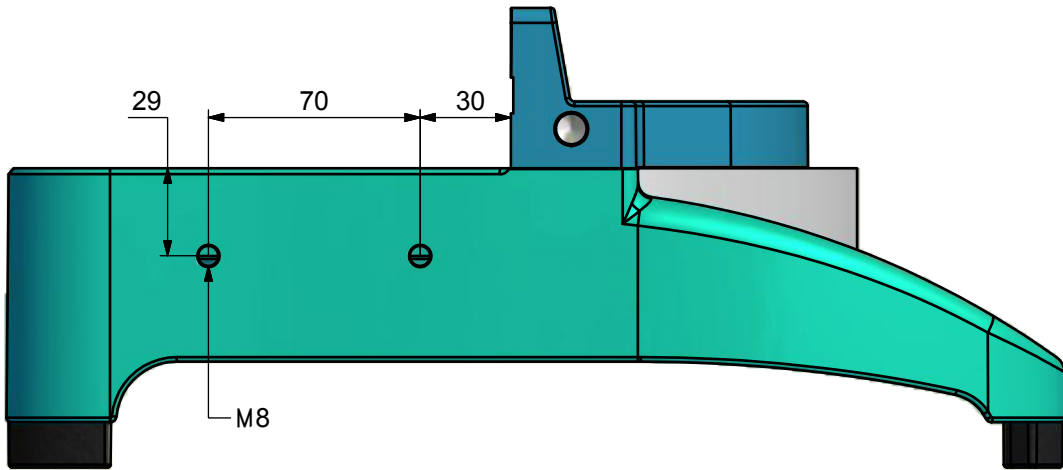


8(800)500-0373

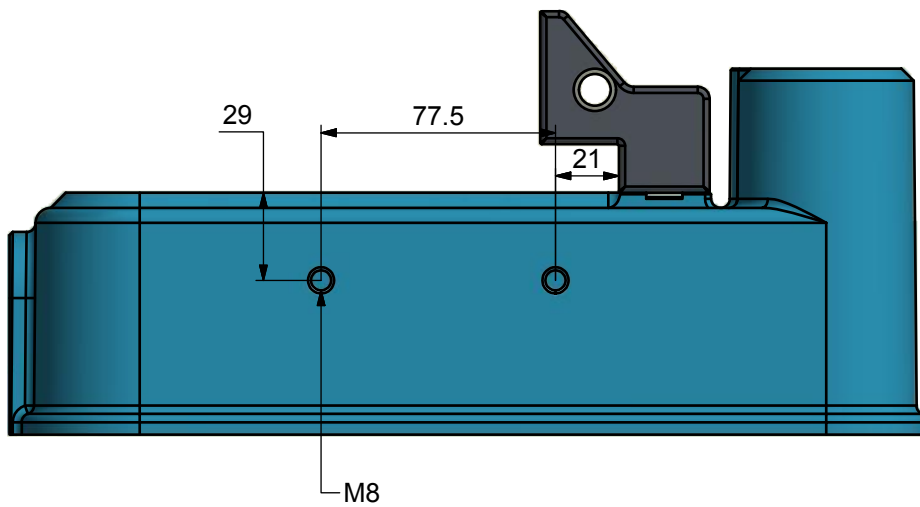


8(800)500-0373

KD / KY 300-301-305
DELİK ÖLÇÜLERİ / HOLE DIMENSIONS



FR 220-221-225-226
DELİK ÖLÇÜLERİ / HOLE DIMENSIONS



8(800)500-0373